

LED driver | 3470201054



General features

Primary side	220-250V ~ 50/60Hz
Secondary side	350 mA
Wattage	1-15W
Weight	N/A
Plug	Euro
Colour	White
Packing method	Sales box

Wire

Input	1.8 m
Output	0.1 m

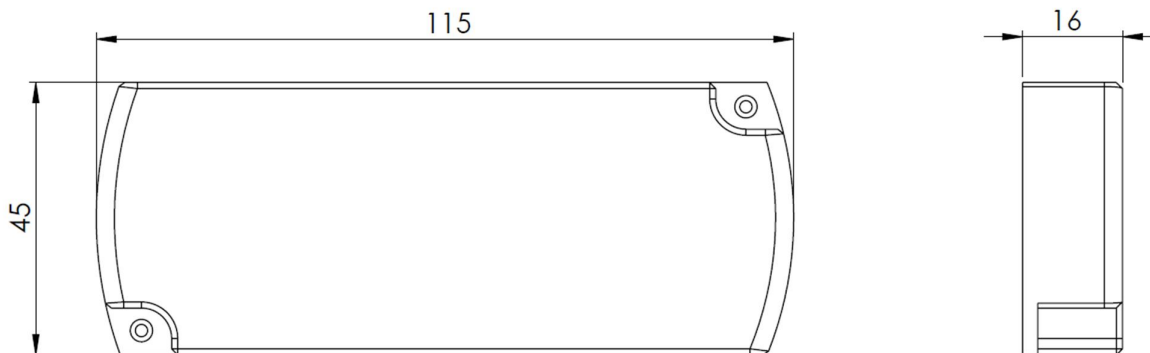
Safety

IP Class	IP44
Protection Class	Class II
Approvals	CE

Materials

Housing	PC
---------	----

Dimensions [mm]



Packing

Box	Weight	Size	Amount
Sales		50x61x170 mm	1 pc
Outer	G.W.: 10.8 KGS N.W.: 8.8 KGS	365x325x275 mm	50 pcs

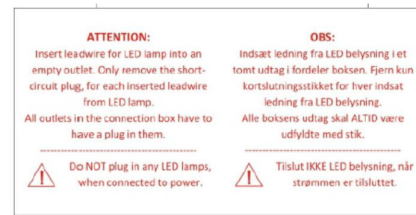
Labels

No.	Placement	Size	Colour	Print	Amount
1	Top of driver	N/A mm	White	Black	1 pc
2	Back of driver	25x10 mm	White	Black	1 pc
3	Output wire	100x50 mm	White	Red	1 pc
4	Connection box	35x20 mm	White	Red	1 pc

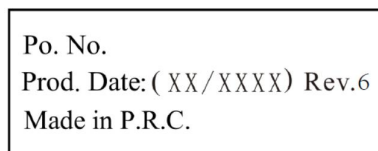
1



3



2



4



Accessories

Type	Info	Amount
IM	0059 Rev4	1 pc

Product history

Revise and date
Rev0 – 13-11-2015; First version of datasheet